

Simple Pin Detail

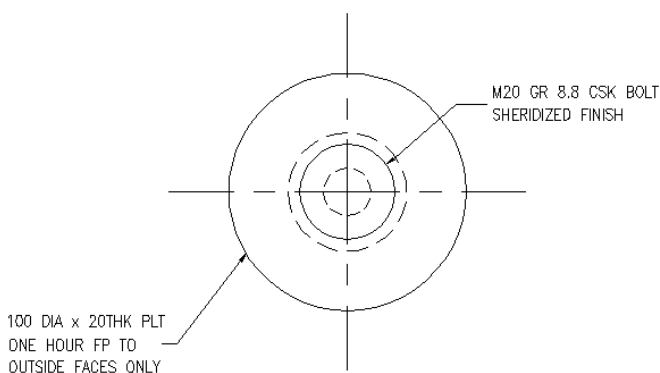


Specialist Pins can be very expensive but there is a simple alternative using conventional grade steel.

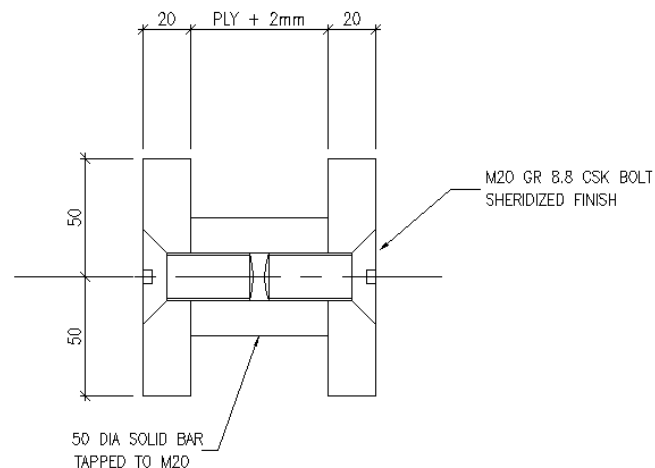


The picture left shows typical simplified pin being used to support the end of a 19m span Glulam beam.

Easy to install, easy to fabricate and less than half the cost of specialist off the shelf Pins. Once painted there is very little difference in appearance.



END VIEW



TYPICAL PIN DETAIL

Design loads obtained using normal design rules within BS5950.

For further information contact Chris Achilles at Peers Tel – 01204 528393.